

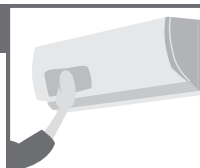
Cleaning instructions

To ensure optimal performance of the unit, cleaning has to be carried out at regular intervals. Dirty unit may cause malfunction and you may see error code "H99". Please consult authorised dealer.

- Switch off the power supply and unplug before cleaning.
- Do not touch the aluminium fin, sharp parts may cause injury.
- Do not use benzene, thinner or scouring powder.
- Use only soap (\approx pH 7) or neutral household detergent.
- Do not use water hotter than 40 °C.

Indoor unit

Wipe the unit gently with a soft, dry cloth.



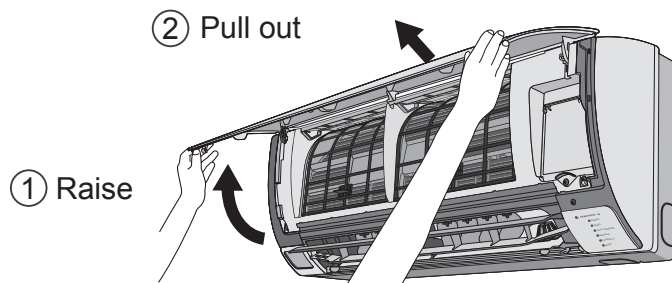
Human activity sensor

Do not hit or violently press or poke it with a sharp object. This can lead to damage and malfunction.

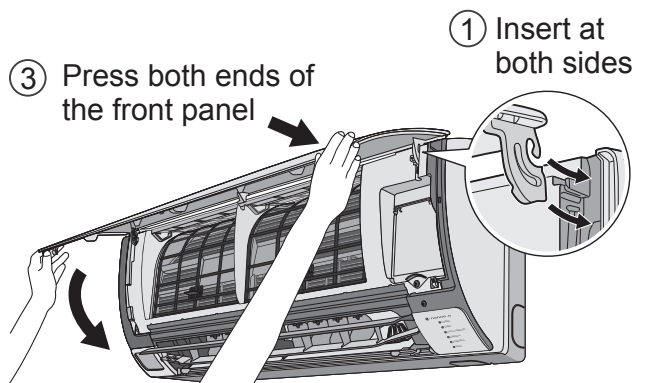
Front panel

Wash gently and dry.

Remove the front panel

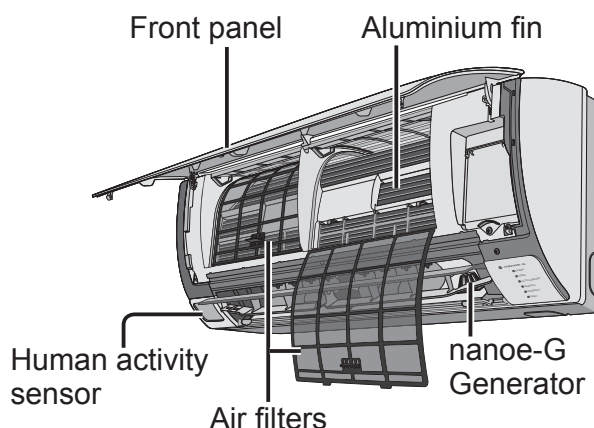


Close it securely



- ② Close down
- ④ For CS-E18PKR, CS-E21PKR, CS-E24PKR, CS-E28PKR:
Press at center of the front panel

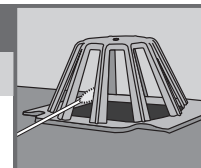
Indoor unit



nanoe-G Generator

Every 6 months

- Clean with dry cotton bud.
- Do not touch during operation.



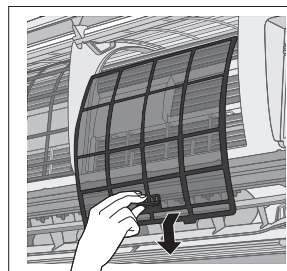
Air filters

Every 2 weeks

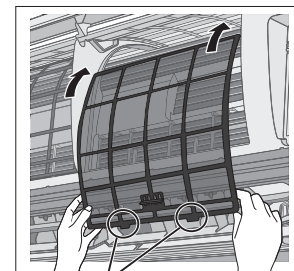
- Wash/rinse the filters gently with water to avoid damage to the filter surface.
- Dry the filters thoroughly under shade, away from fire or direct sunlight.
- Replace any damaged filters.



Remove air filter



Attach air filter



Insert into the unit

For seasonal inspection after extended non-use

- Checking of remote control batteries.
- No obstruction at air inlet and air outlet vents.
- Use Auto OFF/ON button to select COOL/HEAT operation. After 15 minutes of operation, it is normal to have the following temperature difference between air inlet and air outlet vents:

COOL: ≥ 8 °C

HEAT: ≥ 14 °C

For extended non-use

- Activate HEAT mode for 2~3 hours to remove moisture left in the internal parts thoroughly to prevent mould growth.
- Turn off the power supply and unplug.
- Remove the remote control batteries.